

# TECHNICAL DATA SHEET

## 1500 B - C Lateral

### MODEL :

Brick version : 1500 B  
Refractory concrete oven dome : 1500 C

### MATERIALS :

Refractory brick  
Refractory concrete  
Reinforced with metal fibres

### PARTS :

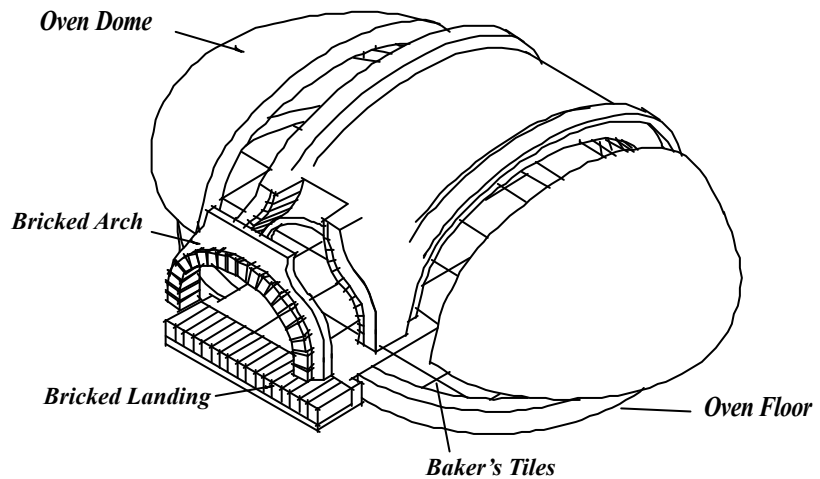
The hearthstone : 4 parts  
The oven arch : 4 parts  
The bricked arch

### CARACTERISTICS :

Cooking chamber : 13.25 feet<sup>2</sup>  
Weight : 1552 lb

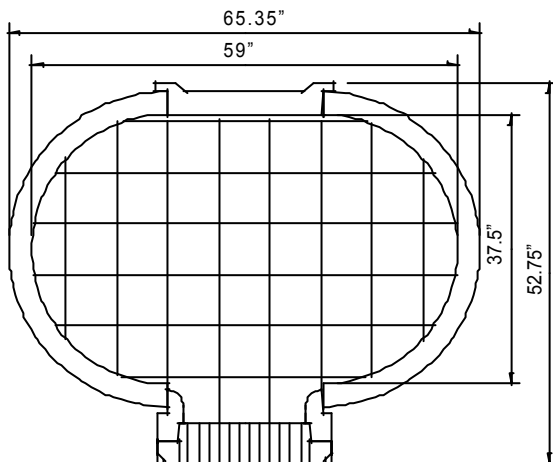
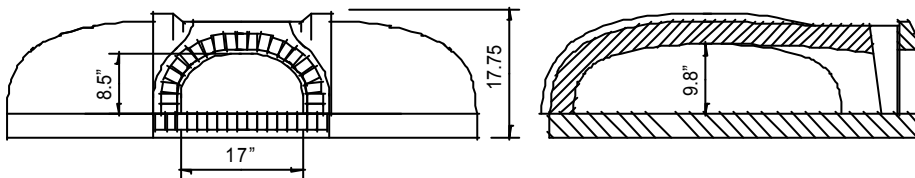
### POWER USED :

Pre-firing 2 hours : 23.3 lb Wood/Hour (20% dampness) = 43 kW/Hour  
Cooking with the door opened : 11.7 lb Wood/Hour (20% dampness) = 21.5 kW/Hour  
Power going through the sides with the advised insulation : 1.3 KW/Hour  
Radiation power (through the door) : 1.9 KW/Hour  
Fresh air consumption : 270 m<sup>3</sup>/Hour at 20 °C  
Minimal smoke pipe : Height 3 m- Part 255 cm<sup>2</sup>-Diameter 200 mm



### Smoke temperature :

For oven stoves : 347 °F or 175°C  
Maximum temperature for the use of the oven :  
1000 °F or 538 °C



### Included in the kit:

- Oven
- Insulated door
- Exterior cast iron door
- Flue connector with shut-off valve
- Vault thermometer
- Top and bottom insulation
- Assembly mortar
- Assembly instructions

### Four "Grand Mere" for

Bread Stone Ovens, LLC - 2014  
11140 Petal Street, Suite 250  
Dallas, TX 75238